

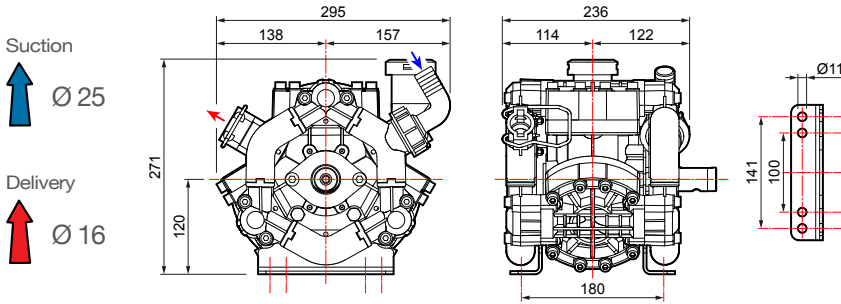
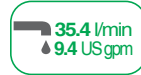


LOW PRESSURE DIAPHRAGM PUMPS



**P 36**

3 Diaphragm



**AVAILABLE MODELS**

**P 36**

3/4" Solid Keyed Shaft

**P 36 GR**

3/4" Solid Shaft Gearbox Adjustable Regulator 3/8" Outlet, 3/4" Bypass



**ACCESSORIES & REPAIR KITS**

**Comet Oil**



8102.1801.00

**VR 10 Regulator**



1204.0685.00

**Pulley Kit**



5001.0073.00

**Rebuild Kits**



NBR: 5026.0325.00.BN  
Desmopan: 5026.0324.00  
Viton: 5026.0325.00

RPM	0 bar - 0 p.s.i.				5 bar - 72 p.s.i.				10 bar - 145 p.s.i.				kg	lb
	l/min	U.S.g.p.m.	HP	kW	l/min	U.S.g.p.m.	HP	kW	l/min	U.S.g.p.m.	HP	kW		
400	25.8	6.8	0.3	0.2	24.7	6.5	0.5	0.4	23.9	6.3	0.8	0.6	8.0	17.6
450	29.0	7.7	0.3	0.2	27.8	7.3	0.6	0.5	26.9	7.1	0.9	0.7		
500	32.2	8.5	0.4	0.3	31.0	8.2	0.7	0.5	30.0	7.9	1.0	0.8		
550	35.4	9.4	0.4	0.3	34.0	9.0	0.8	0.6	33.3	8.8	1.2	0.9		