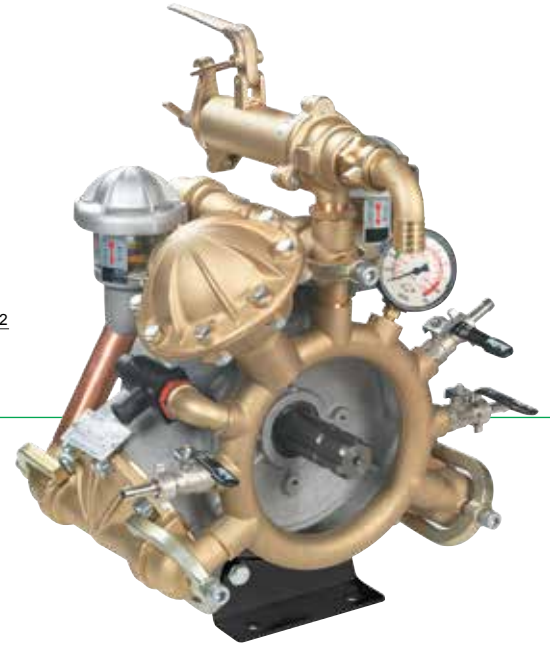
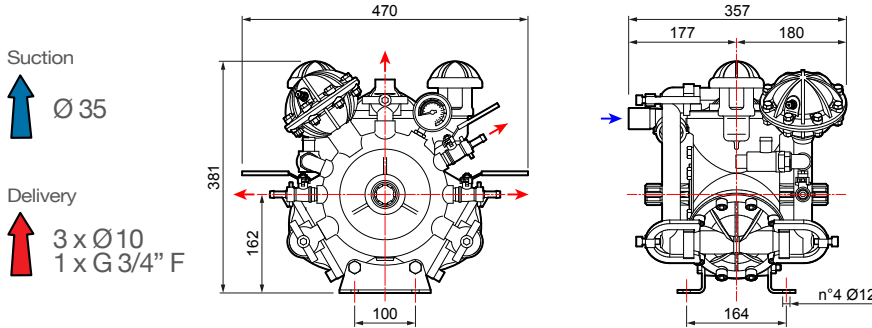




HIGH PRESSURE DIAPHRAGM PUMPS

# IDS 1000

3 Diaphragm



## AVAILABLE MODELS

### IDS 1000

1 3/8" Male 6 Splined Shaft  
on Both Sides  
1" Bypass



## ACCESSORIES & REPAIR KITS

Comet Oil



8102.1801.00

ALFA 2 Regulator



1204.1801.00

ORION 2 Regulator



1204.1701.00

VRS Regulator



1215.0287.00

Shaft Protector



2416.0226.00

Rebuild Kit



NBR: 5026.0092.00

	0 bar - 0 p.s.i.				20 bar - 290 p.s.i.				30 bar - 435 p.s.i.				40 bar - 580 p.s.i.				50 bar - 725 p.s.i.						
	RPM	l/min	U.S.g.p.m.	HP	KW	l/min	U.S.g.p.m.	HP	KW	l/min	U.S.g.p.m.	HP	KW	l/min	U.S.g.p.m.	HP	KW	l/min	U.S.g.p.m.	HP	KW	kg	lb
	400	77	20.3	0.8	0.6	73	19.3	4.1	3.0	72	19.0	5.8	4.3	71	18.8	7.3	5.4	70	18.5	8.8	6.5	42	93
	450	86	22.7	0.9	0.7	83	21.9	4.7	3.5	82	21.7	6.6	4.9	82	21.7	8.5	6.3	81	21.4	10.2	7.5		
	500	95	25.1	1.0	0.7	93	24.6	5.3	3.9	92	24.3	7.4	5.4	91	24.0	9.4	6.9	91	24.0	11.5	8.5		
	550	101	26.7	1.1	0.8	100	26.4	5.7	4.2	99	26.2	7.9	5.8	99	26.2	10.2	7.5	99	26.2	12.5	9.2		