

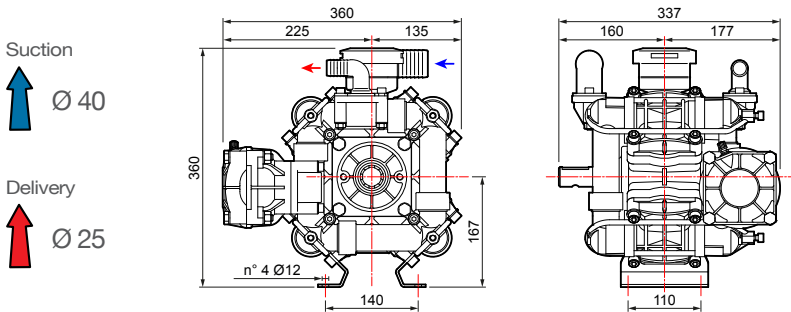


LOW PRESSURE DIAPHRAGM PUMPS



BP 171

4 Diaphragm



AVAILABLE MODELS

BP 171

1 3/8" Male 6 Splined Shaft on Both Sides



ACCESSORIES & REPAIR KITS

Comet Oil



8102.1801.00

GRV 4V Regulator



1204.0572.00

Shaft Protector



2416.0306.00

Rebuild Kit



Desmopan: 5026.0145.00

RPM	0 bar - 0 p.s.i.				5 bar - 72 p.s.i.				10 bar - 145 p.s.i.				15 bar - 217 p.s.i.				20 bar - 290 p.s.i.				kg / lb	
	l/min	U.S.g.p.m.	HP	KW	l/min	U.S.g.p.m.	HP	KW	l/min	U.S.g.p.m.	HP	KW	l/min	U.S.g.p.m.	HP	KW	l/min	U.S.g.p.m.	HP	KW		
400	122	32.3	1.3	1.0	120	31.7	2.6	1.9	119	31.5	4.1	3.0	119	31.3	5.2	3.8	118	31.1	6.7	4.9	24	52.9
450	138	36.4	1.5	1.1	135	35.7	2.9	2.2	134	35.5	4.6	3.4	133	35.2	6.1	4.5	133	35.0	7.6	5.6		
500	153	40.3	1.8	1.3	150	39.6	3.5	2.6	149	39.4	5.2	3.8	148	39.1	6.8	5.0	147	38.8	8.6	6.3		
550	168	44.4	2.0	1.5	165	43.6	4.1	3.0	164	43.3	5.9	4.4	163	43.1	7.8	5.7	162	42.8	9.6	7.0		