

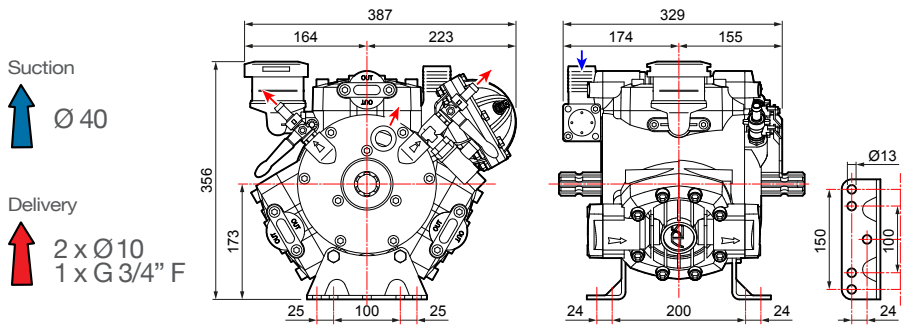


HIGH PRESSURE DIAPHRAGM PUMPS



APS 121

3 Diaphragm



AVAILABLE MODELS

APS 121 MM

1 3/8" Male 6 Splined Shaft on Both Sides

APS 121 P

1 3/8" Male 6 Splined Shaft 14" 3A Groove Pulley



NEW

ACCESSORIES & REPAIR KITS

Comet Oil



8102.1801.00

ALFA2 Regulator



1204.1801.00

ORION 2 Regulator



1204.1701.00

VRS Regulator



1215.0287.00

Shaft Protector



2416.0276.00

Rebuild Kit



NBR: 5026.0089.00

RPM	0 bar - 0 p.s.i.				20 bar - 290 p.s.i.				30 bar - 435 p.s.i.				40 bar - 580 p.s.i.				50 bar - 725 p.s.i.				kg / lb	
	l/min	U.S.g.p.m.	HP	kW	l/min	U.S.g.p.m.	HP	kW	l/min	U.S.g.p.m.	HP	kW	l/min	U.S.g.p.m.	HP	kW	l/min	U.S.g.p.m.	HP	kW		
400	87	23.0	0.9	0.7	85	22.5	4.8	3.5	84	22.2	6.8	5.0	84	22.2	8.6	6.3	84	22.2	10.6	7.8	38	83.8
450	98	25.9	1.0	0.7	96	25.4	5.4	4.0	95	25.1	7.6	5.6	94	24.8	9.7	7.1	94	24.8	11.9	8.8		
500	109	28.8	1.1	0.8	106	28.0	6.0	4.4	105	27.7	8.5	6.3	105	27.7	10.8	7.9	105	27.7	13.2	9.7		
550	120	31.7	1.2	0.9	117	30.9	6.6	4.9	116	30.6	9.3	6.8	115	30.4	11.9	8.8	115	30.4	14.5	10.7		